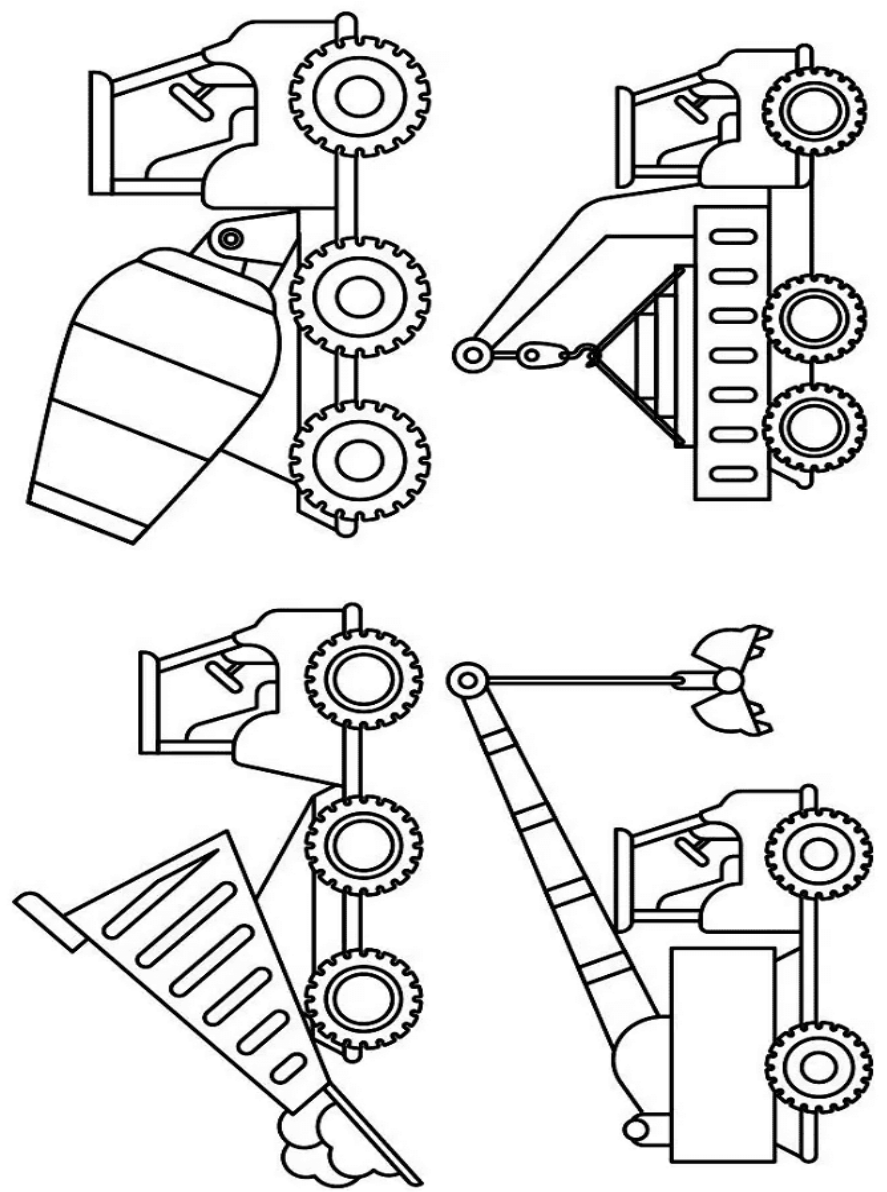




Date: _____

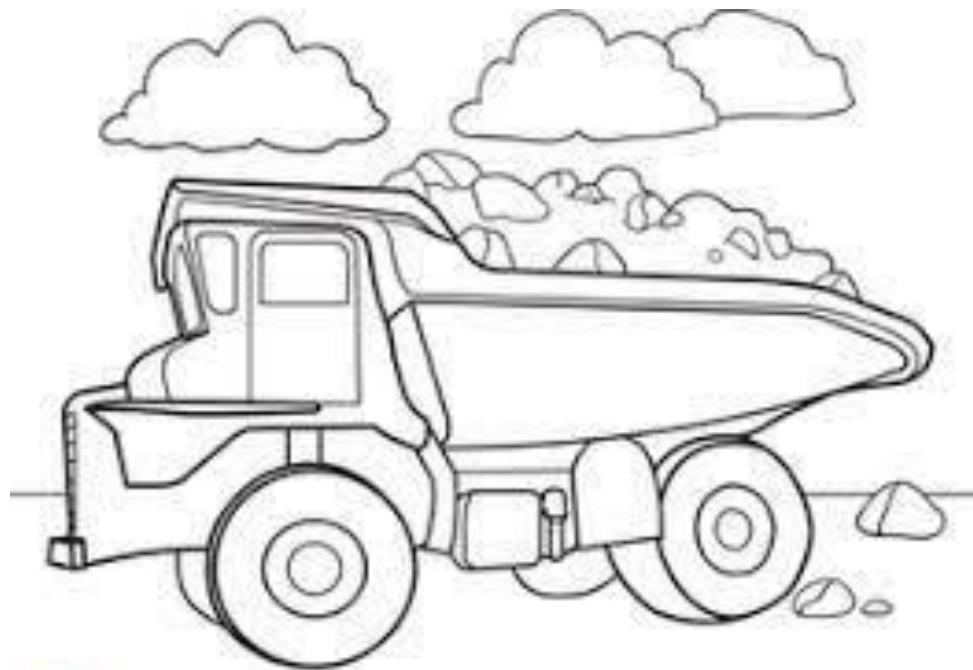
Name: _____ Room: _____



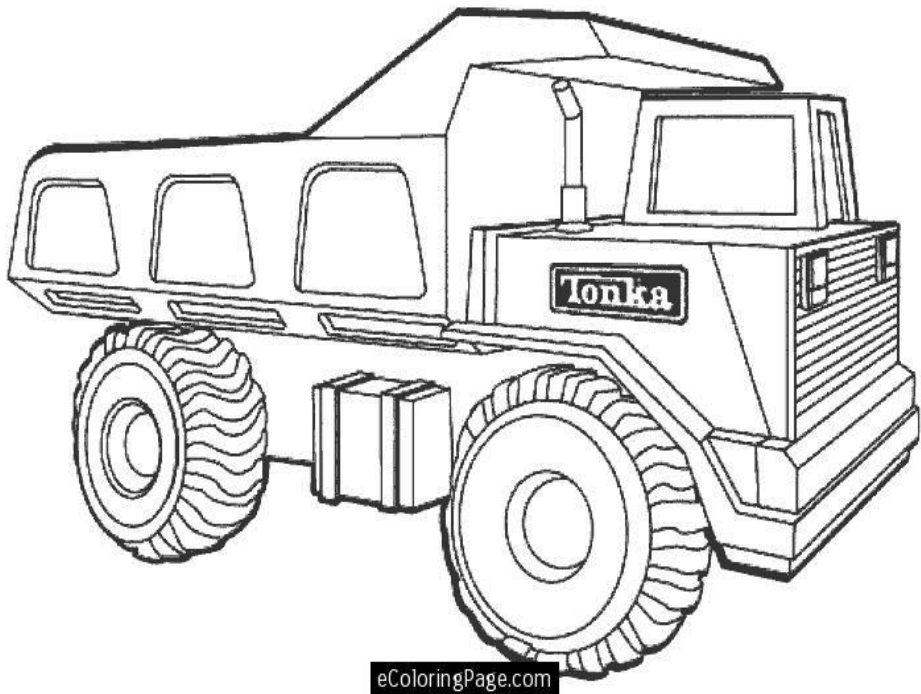
Date: _____



Date: _____

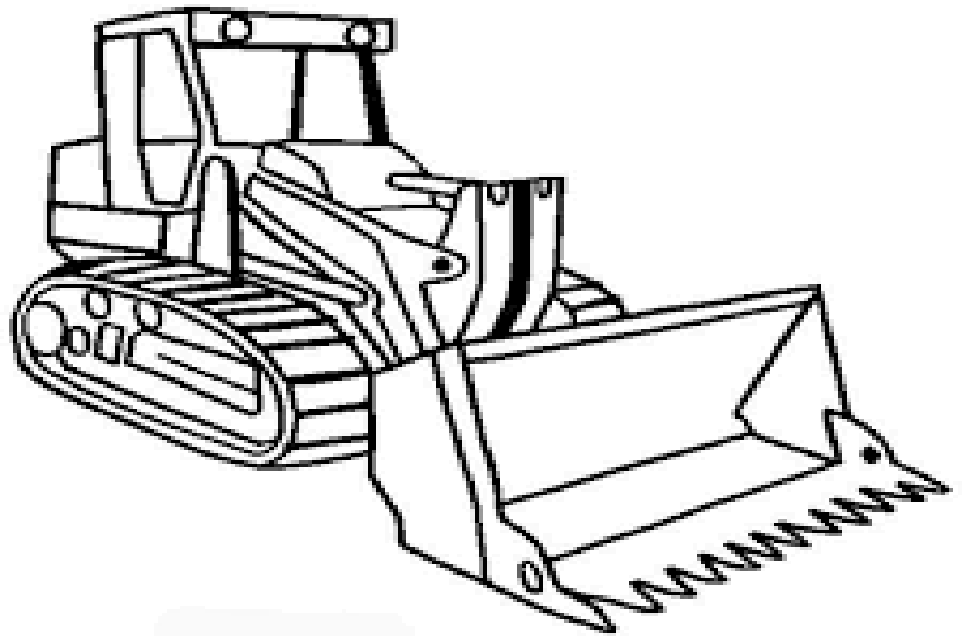


Date: _____

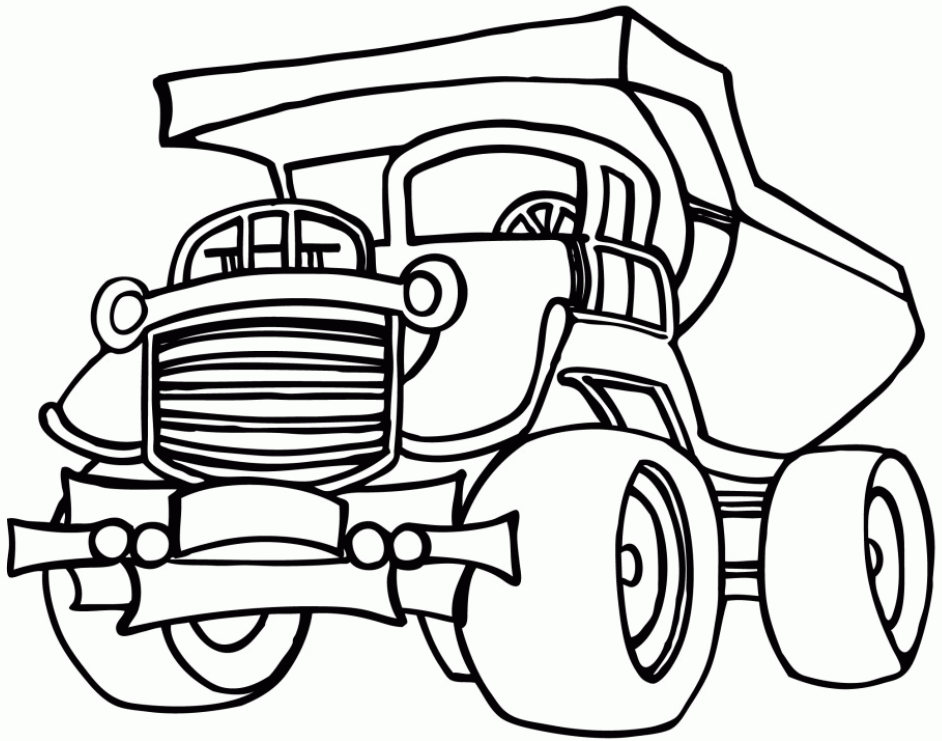


eColoringPage.com

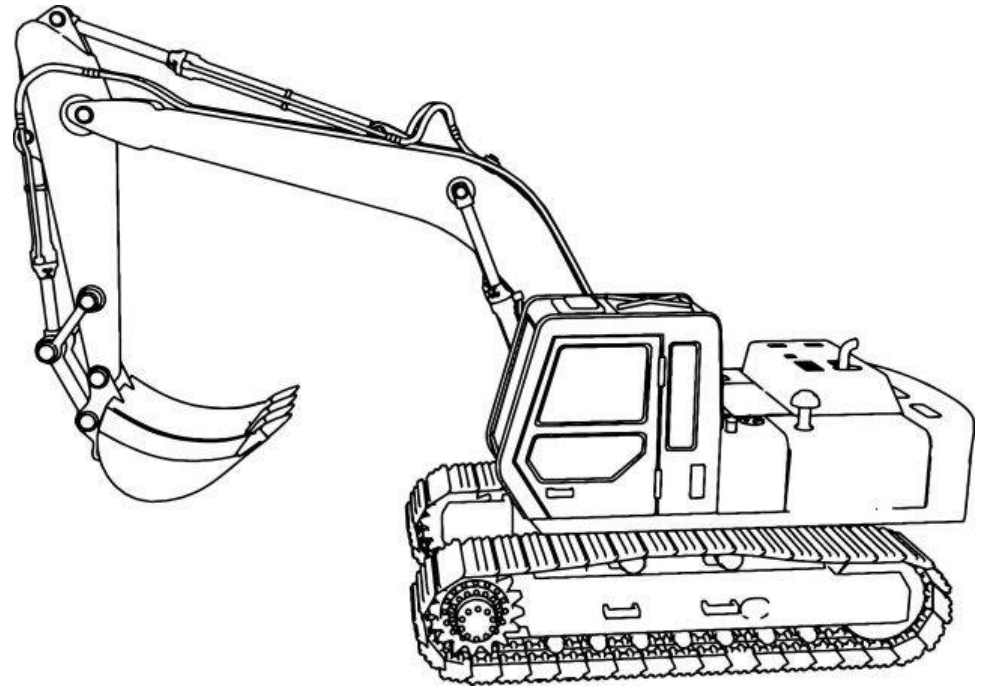
Date: _____



Date: _____



Date: _____



Date: _____

