

Name 

Day/Date 

Reading Contract A

Title: **Poisonous Animals**  
Colour: **Yellow / L 6-8**  
Text: Non Fiction  
Text Series: Sails  
[www.kiwiresources.weebly.com](http://www.kiwiresources.weebly.com)

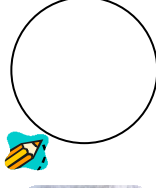
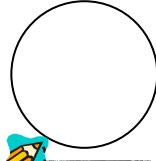
Trace 

# Poisonous Animals

Fix Up 

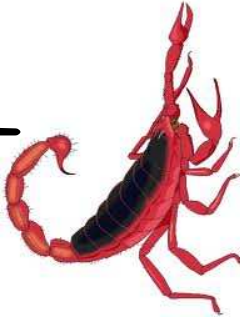
Trace over the correct letters, and circle all the letters that are in the wrong place.


# A n i m l a s




How many were in the story?

Match up then colour in/trace the words




stingray 



scorpion 



wasp 



My Picture



Name



Date/Day

Reading Contract B

Title: **Poisonous Animals**

Colour: **Yellow / L 6-8**

Text: Non Fiction

Text Series: Sails

[www.kiwiresources.weebly.com](http://www.kiwiresources.weebly.com)



Title



My Words

Write some of your own words which are related to the story, but which were not in the story.



My Turn

Using your own words, write your own sentence about something that happened, or something that was in the book.






**Question Time. Answer the questions about the story.**

1. Where does the fish have its poison?
2. Where does the frog have its poison?
3. What page is the animal on that has poison on its claws?
4. Which animal has fangs?
5. What is the title of this story?



**Word Study-I'm all mixed up. Write the words correctly.**

6. stingrya 
7. scorpnio 
8. psaw 

**Find Me**

9. How many times is this word in the book altogether?



Sting

